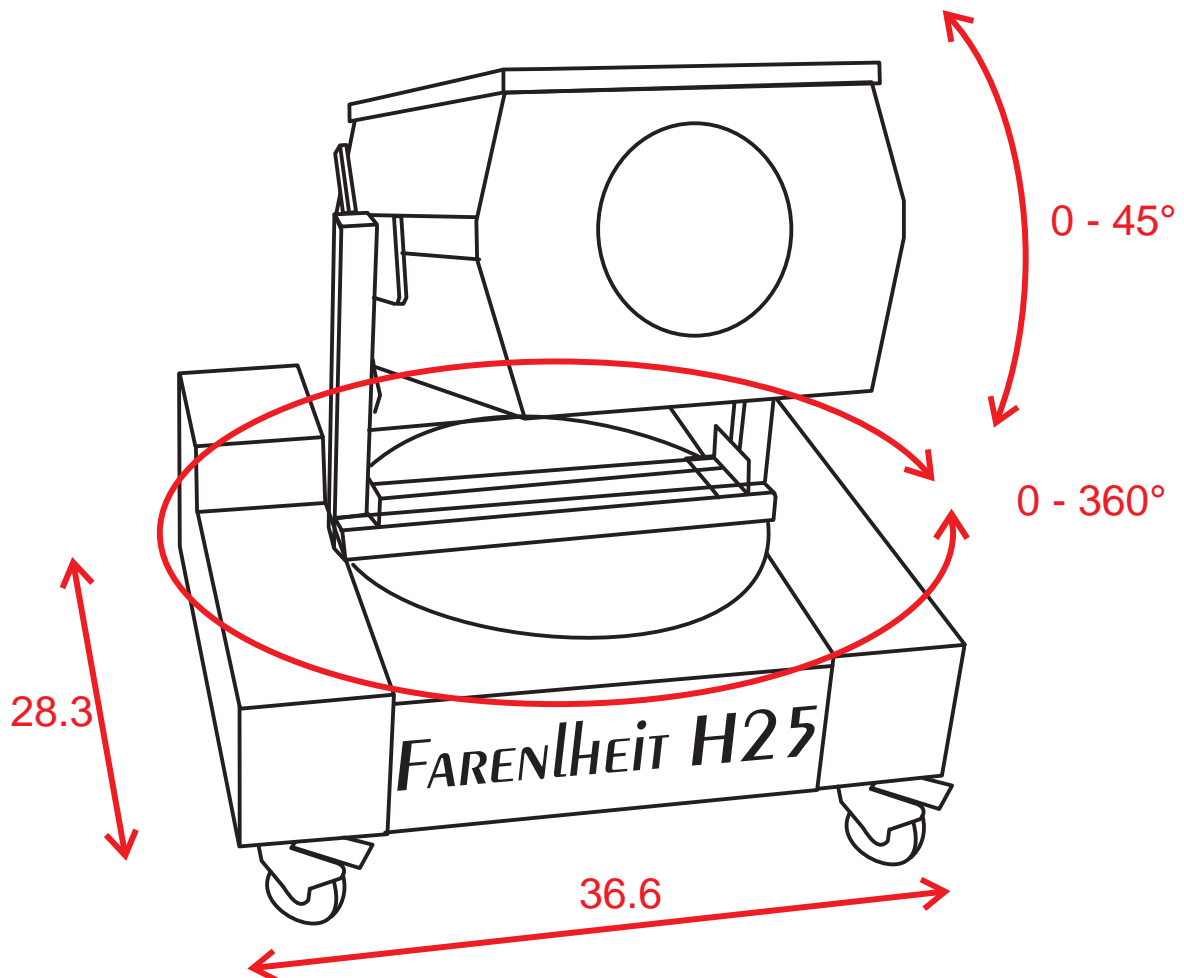


2006 New Product



- Made in aluminium with stainless screws.
- 4 inches blue wheels + wide aluminium handle to move it easily.
- 36.6 x 28.3 tubular chassis of high stability.
- Straps for an easy transport.
- Panning rotation from 0 to 360° with the option to regulate the speed and angle position of backward and forward movements.
- Limit switch detection through proximity probes.
- Inclination from 0 à 45° in respect to the horizon level.
- Mounting: 21.7 inches aluminium tray built on acetal rollers with stainless balls.
- Driving: over dimensioned geared motor, aluminium pulley and V-belt.
- Clear accurate free of impact panning movement, even during a low speed use.
- Electric and electronic components can be reached through the upper side.
- 20 A power circuit breaker with D curve.
- Quick setting thanks to a waterproof box set to the chassis.
- 25 white beams of light with a yellow and orange-coloured effect (with adjustable speed).
- Mirror transmission through a cardan joint with disc of torsion, bronze plain bearings.
- Time meter.
- Fanning: 4 compact fans (235 yd³/hour).
- Supply: 230 V single phase supply.
- The whole product is supplied, ready to use with an original HMI Osram lamp.
- The parts have a 3 years warranty (except lamps and lenses).

Options (only for rent):

- 30mA earth-leak circuit breaker.
- Weekly time counting for automatic operation.